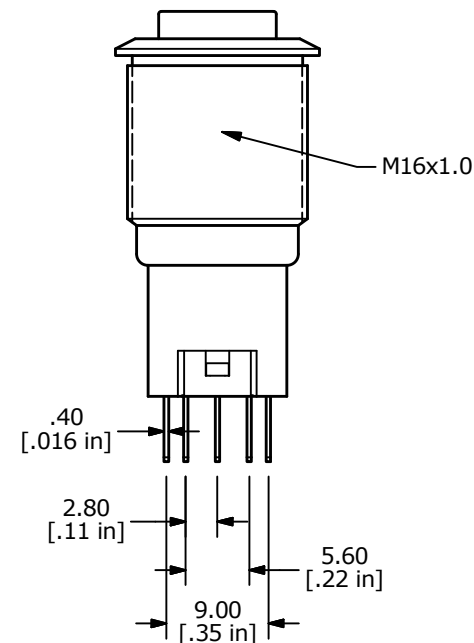
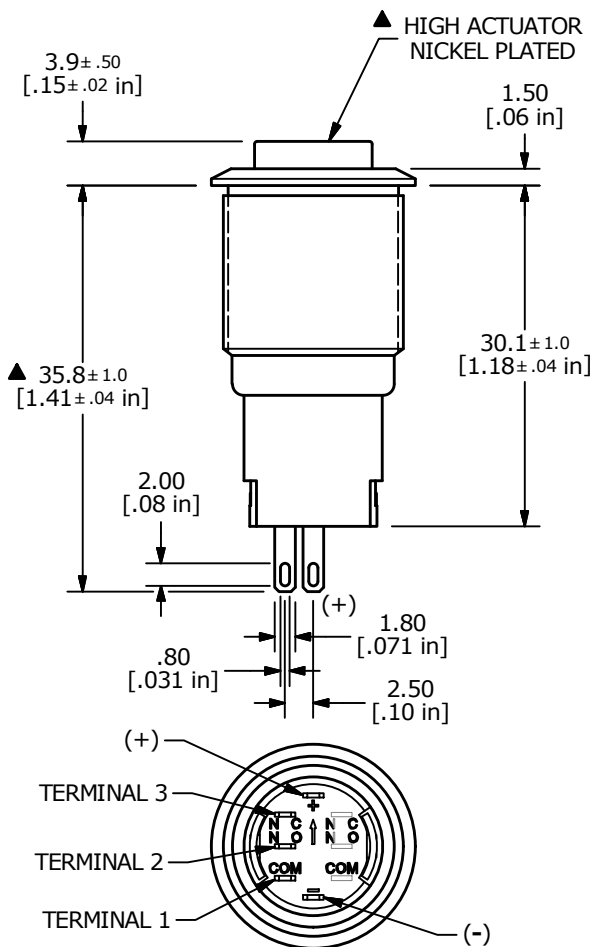
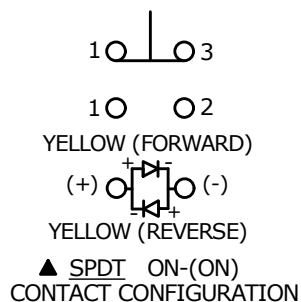


▲ SWITCH FUNCTION

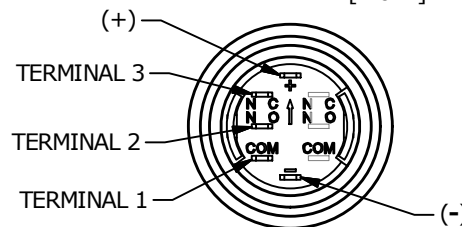
POS. 1	POS. 2
ON	(ON)
1-3	1-2

(ON) = MOMENTARY



NOTE:

- ALL DIMENSIONS IN MM [INCH]
- GENERAL TOLERANCE: X.X = ±0.4
X.XX = ±0.25
- TERMINAL NUMBERS FOR REF ONLY
- CONTACT MATERIAL: SILVER
- RATING: 2A 48VDC
- ELECTRIC LIFE: 50,000 MAKE-AND-BREAK CYCLES AT FULL LOAD.
- INSULATION RESISTANCE: 1,000 MΩ MIN.
- DIELECTRIC STRENGTH: 2,000 VAC MIN. FOR 1 MINUTE
- CONTACT RESISTANCE: 50mΩ MAX. @ 1A 12VDC
- OPERATING TEMP.: -20°C to 55°C
- ▲ DENOTES CRITICAL PARAMETER.
- HARDWARE SUPPLIED: O-RING AND HEXNUT
- INGRESS RATING: IP40
- LAMP VOLTAGE: 24V



REV	PCR NO	DESCRIPTION	DATE	BY
D	23614	update +/- Terminals	2/27/19	MW
C	23359	UPDATED RATING TO 2A 48VDC	5/14/18	MJR
B	22882	UPDATED RATING TO 1A 24VDC	6/7/17	MJR

THE INFORMATION CONTAINED IN THIS DOCUMENT IS PROPRIETARY TO E-SWITCH AND IS NOT TO BE COPIED OR TRANSFERRED

TITLE PV3H2B0NN-355				
SCALE	DATE	DR	DWG	REV
3:2	4/11/2016	MJR	52-PV3H2B0NN355	D